

no longer available - archive entryreplaced by: PN7004

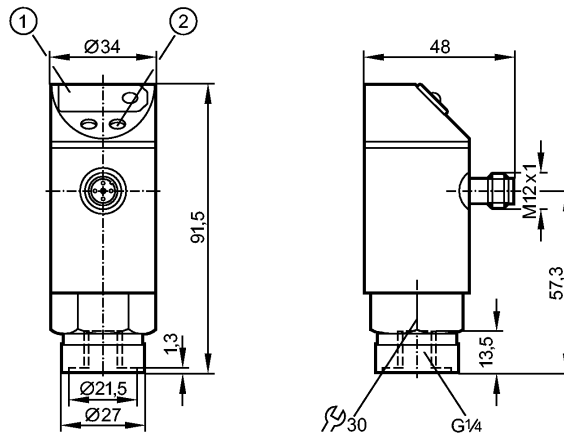
**efectorsoo**

PN7024



PN-010-RBR14-QFPKG/US/ IV

Pressure sensors



1: 7-segment LED display  
2: Programming button



Product characteristics

Electronic pressure monitor

Quick disconnect

Function programmable

Process connection: G ¼ I

2 switching outputs

7-segment LED display

Measuring range: 0...10 bar

Application

Application

Type of pressure: relative pressure  
Liquids and gases

Pressure rating	[bar]
Bursting pressure min.	[bar]
Medium temperature	[°C]

	50
	150
	-25...80

Electrical data

Electrical design

DC PNP

Operating voltage	[V]
Current consumption	[mA]
Insulation resistance	[MΩ]

	18...30 DC
	< 60
	> 100 (500 V DC)

Protection class

III

Reverse polarity protection

yes

Outputs

2 switching outputs

Output

2 x normally open / closed programmable

Output function

Current rating	[mA]
Voltage drop	[V]

	250
	< 2

Short-circuit protection

yes (non-latching)

Overload protection

yes

Switching frequency for a given set response time of one output \*)

Response time (dAP)									
[ms]	3	6	10	17	30	60	125	250	500
Switching frequency									
[Hz]	170	80	50	30	16	8	4	2	1

Measuring / setting range

Measuring range [bar]

0...10

# PN7024 - Electronic pressure monitor - eclass: 27201302 / 27-20-13-02

Setting range		
Set point, SP	[bar]	0.10...10.0
Reset point, rP	[bar]	0.05... 9.95
in steps of	[bar]	0.05
Accuracy / deviations		
Deviations (% of value of measuring range)		
Switch point accuracy		< ± 1.0
Repeatability		< ± 0.25
Temperature drift ( / 10 K)		< ± 0.3
in the temperature range	[°C]	-25...80
Reaction times		
Power-on delay time	[s]	0.2
Delay time programmable dS, dr	[s]	0, 0.2,...10, 11,...50
Integrated watchdog		yes
Software / programming		
Programming options		hysteresis / window function; N.O. / N.C.; on delay, off delay; damping
Adjustment of the switch point		Programming button
Environment		
Ambient temperature	[°C]	-25...80
Storage temperature	[°C]	-40...100
Protection		IP 65
Tests / approvals		
EMC		
	EN 61000-4-2 ESD:	4 kV CD / 8 kV AD
	EN 61000-4-3 HF radiated:	10 V/m
	EN 61000-4-4 Burst:	2 kV
	EN 61000-4-6 HF conducted:	10 V
Shock resistance	DIN IEC 68-2-27:	50 g (11 ms)
Vibration resistance	DIN IEC 68-2-6:	20 g (10...2000 Hz)
Mechanical data		
Process connection		G ¼ I
Materials (wetted parts)		stainless steel (303S22); ceramics; FPM (Viton)
Housing materials		EPDM/X (Santoprene); FPM (Viton); PA; PBT (Pocan); PC (Makrolon); PTFE; stainless steel (304S15)
Switching cycles min.		100 million
Weight	[kg]	0.277
Displays / operating elements		
Display		Switching status 2 x LED red Function display 7-segment LED display Measured values 7-segment LED display
Electrical connection		
Connection		M12 connector; gold-plated contacts
<b>Wiring</b>		
Programming of the output function:		
Hno = hysteresis / normally open		
Hnc = hysteresis / normally closed		
Fno = window function / normally open		
Fnc = window function / normally closed		
Complementary outputs:		
output 1: = Hno, output 2: = Hnc (with the same SP / rP)		
Remarks		
Remarks		*) at rectangular pressure characteristic and setting: switch-on point (SPx) = 70 %, switch-off point (rPx) = 30 %
Pack quantity	[piece]	1

