

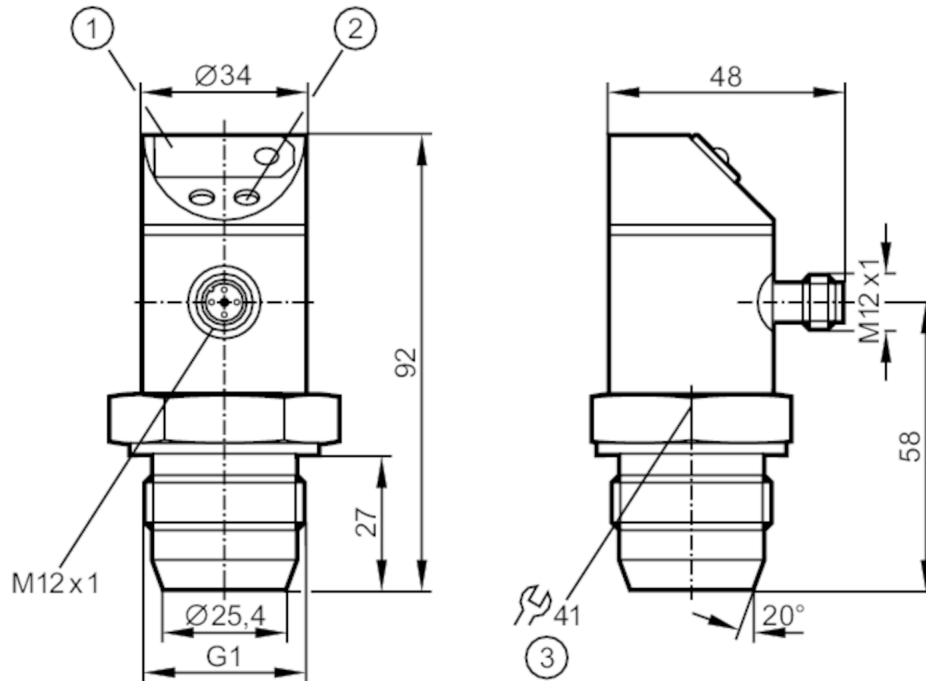
PF3653



Flush pressure sensor

PF-025-SEA01-KFPKG/US/ IP

Article no longer available - archive entry



- 1 7-segment LED display
- 2 programming button
- 3 Tightening torque 20 Nm



Product characteristics

Number of inputs and outputs	Number of digital outputs: 1; Number of analogue outputs: 1
Measuring range [bar]	0...25
Process connection	threaded connection G 1 external thread

Application

Special feature	Gold-plated contacts
Application	flush mountable for the food and beverage industry
Installation	freely rotatable housing 350°
Media	viscous media and liquids with suspended particles; liquids and gases
Medium temperature [°C]	-25...80
Min. bursting pressure [bar]	350
Pressure rating [bar]	100
Type of pressure	relative pressure
No dead space	yes

Electrical data

Operating voltage [V]	20...30 DC
Current consumption [mA]	< 60
Min. insulation resistance [MΩ]	100; (500 V DC)
Protection class	III

PF3653



Flush pressure sensor

PF-025-SEA01-KFPKG/US/ IP

Reverse polarity protection		yes
Power-on delay time	[s]	0.2
Integrated watchdog		yes

Inputs / outputs

Number of inputs and outputs	Number of digital outputs: 1; Number of analogue outputs: 1	
------------------------------	---	--

Outputs

Total number of outputs		2
Output signal		switching signal; analogue signal; (configurable)
Electrical design		PNP
Number of digital outputs		1
Max. voltage drop switching output DC	[V]	2
Permanent current rating of switching output DC	[mA]	250
Number of analogue outputs		1
Analogue current output	[mA]	4...20
Max. load	[Ω]	500
Short-circuit protection		yes
Type of short-circuit protection		pulsed
Overload protection		yes

Measuring/setting range

Measuring range	[bar]	0...25
Set point SP	[bar]	1.25...25
Reset point rP	[bar]	0.75...24.75
In steps of	[bar]	0.25

Accuracy / deviations

Switch point accuracy	[% of the final value]	< ± 1,5
Repeatability	[% of the final value]	< ± 0,25; (with temperature fluctuations < 10 K)
Characteristics deviation	[% of the final value]	< ± 1,0
Temperature drift per 10 K		< ± 0.3

Response times

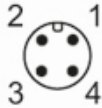
Switching frequency for a given set response time of one output	Response time (dAP)	[ms]	3	6	10	17	30	60	125	250	500
	Switching frequency	[Hz]	170	80	50	30	16	8	4	2	1
Response time	[ms]	at rectangular pressure characteristic; switch point (SPx) = 70 %; reset point (rPx) = 30 %									
Delay time programmable dS, dr	[s]	0, 0,2,...10, 11,...50									
Max. response time analogue output	[ms]	3									

PF3653



Flush pressure sensor

PF-025-SEA01-KFPKG/US/ IP

Software / programming		
Adjustment of the switch point	programming button	
Parameter setting options	hysteresis / window; normally open / normally closed; switch-on/switch-off delay; Damping	
Operating conditions		
Ambient temperature [°C]	-25...80	
Storage temperature [°C]	-40...100	
Protection	IP 65	
Tests / approvals		
EMC	EN 61000-4-2 ESD	4 kV CD / 8 kV AD
	EN 61000-4-3 HF radiated	10 V/m
	EN 61000-4-4 Burst	2 kV
	EN 61000-4-6 HF conducted	10 V
Shock resistance	DIN IEC 68-2-27	50 g (11 ms)
Vibration resistance	DIN IEC 68-2-6	20 g (10...2000 Hz)
Mechanical data		
Materials	stainless steel (1.4404 / 316L); PBT; PC; PA; EPDM/X; FKM	
Materials (wetted parts)	stainless steel (1.4404 / 316L); ceramics; PTFE	
Min. pressure cycles	100 million	
Process connection	threaded connection G 1 external thread	
Displays / operating elements		
Display	switching status	LED, red
	function display	7-segment LED display
	measured values	7-segment LED display
Remarks		
Pack quantity	1 pcs.	
Electrical connection		
Connector: 1 x M12; coding: A; Contacts: gold-plated		
		

PF3653



Flush pressure sensor

PF-025-SEA01-KFPKG/US/ IP

Connection

