

SINGLE FUNCTION PRESSURE CONTROLS

Type **SYS**

SAGInoMIYA

GENERAL DESCRIPTION

- Type SYS is standard model. Reliable performance, and long life products.
- Applicable for R410A (SYS-C140X0)
- Scale plate with significantly clear visibility
- Compact and light weight

CE mark applicable (available upon request)



SPECIFICATIONS

- Fluid temperature: -20 to 120°C
- Ambient temperature: -20 to 70°C

TYPE NUMBER SELECTION

Automatic reset type

Unit: MPa {kgf/cm²}

*1 Catalog No.	*2 Refrigerant	Range		Differential		Factory Setting		Max. Working Pressure	Contact Function	Wt. (kg)
		Min.	Max.	*3 Min.	Max.	Off (On)	On (Off)			
SYS-C103X0	R404A, R407C R134a, R22	-0.06 {-50cmHg}	0.3 {3}	0.035 {0.35}	0.2 {2}	0.05 {0.5}	0.15 {1.5}	1.65 {16.5}	Diagram 1	0.25
SYS-C106X0			0.6 {6}	0.06 {0.6}	0.4 {4}	0.2 {2}	0.3 {3}			
SYS-C110X0		0.1 {1}	0.1 {1}	0.3 {3}	0.4 {4}	0.6 {6}				
SYS-C130X0		0.5 {5}	0.3 {3}	1 {10}	1.5 {15}	2 {20}				
SYS-C135X0		3.5 {35}	1.5 {15}	2 {20}	2.5 {25}	3.8 {38}				
SYS-C140X0	R410A etc.	1 {10}	4.3 {43}	0.5 {5}	1 {10}	4.7 {47}				

Manual reset type

Unit: MPa {kgf/cm²}

*1 Catalog No.	*2 Refrigerant	Range		Manual Reset	Factory Setting		Max. Working Pressure	Contact Function	Wt. (kg)
		Min.	Max.		Off (On)	On (Off)			
SYS-C106X0M2	R404A, R407C	-0.06 {-50cmHg}	0.6 {6}	Automatic operation on pressure decrease and manual reset on pressure increase	0.2 {2}	Manual	1.65 {16.5}	Diagram 2	0.25
SYS-C130X0M2	R134a, R22	0.5 {5}	3 {30}		1.5 {15}	3.3 {33}			

• Enclosure: IP20

*1 Standard unit display is MPa. Other unit displays are available upon request by changing "X0" portion of a catalog number.

[X0: MPa, X1: bar, X2: kgf/cm², X3: kPa, X4: lb/in², X5: psi]

*2 The products other than SYS-C140X0 are not compatible with R410A refrigerant.

*3 Indicates the average value also considering instrumental errors.

ELECTRICAL RATINGS

Rated Voltage (V)		Power Factor (cos φ)	125/250V. AC
Rated Current (A)			
Non-Inductive Current		1	12
Inductive Current	Full Load	0.75	
	Inrush Current	—	72

Minimum contact capacity: 50mA

CONTACT FUNCTIONS

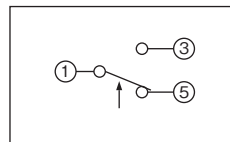


Diagram 1

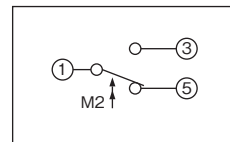


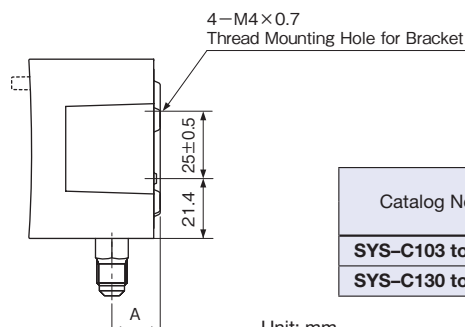
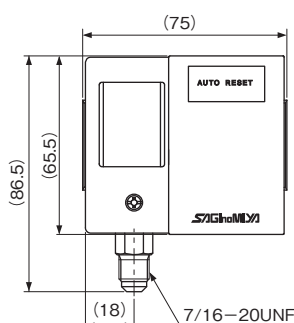
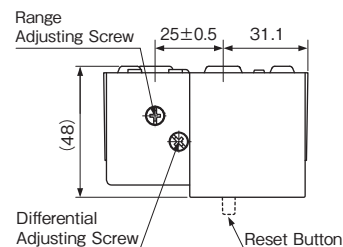
Diagram 2

Diagram 1 & 2	
1	Common Terminal
3	Close on Pressure Increase
5	Close on Pressure Decrease

↑: Operating direction on press. increase at High Press. Side

M2↑: Operating direction on manual reset

DIMENSIONS



Catalog No.	Unit: mm
	A
SYS-C103 to 110	17.7
SYS-C130 to 140	16.7

Unit: mm